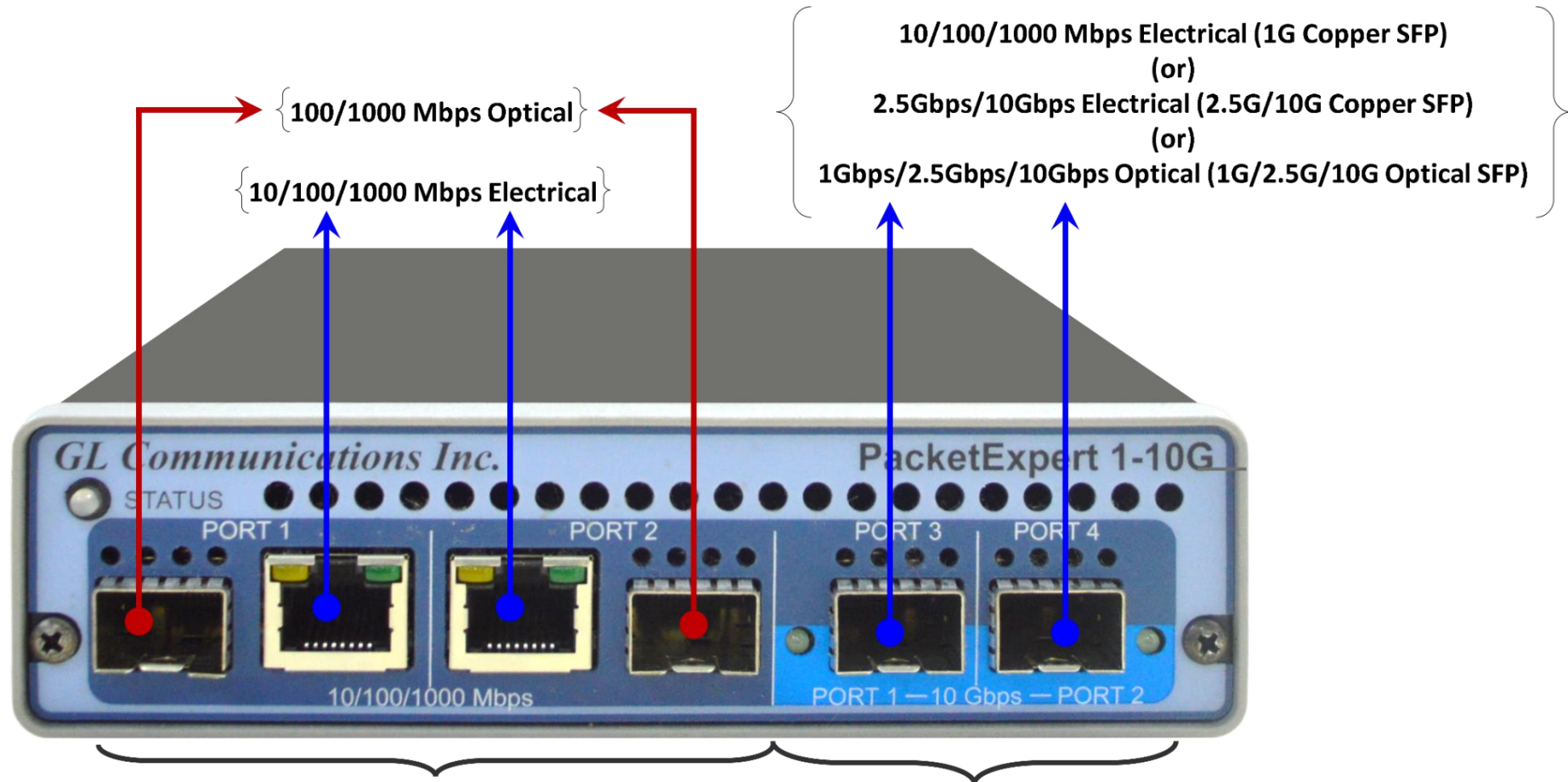

Ethernet Tester – PacketExpert™

1 Gbps, 2.5Gbps, 10 Gbps

 ***GL Communications Inc.***

818 West Diamond Avenue - Third Floor, Gaithersburg, MD 20878
Phone: (301) 670-4784 Fax: (301) 670-9187 Email: info@gl.com
Website: <http://www.gl.com>

PacketExpert™ 10GX - Portable Unit (PXN100)

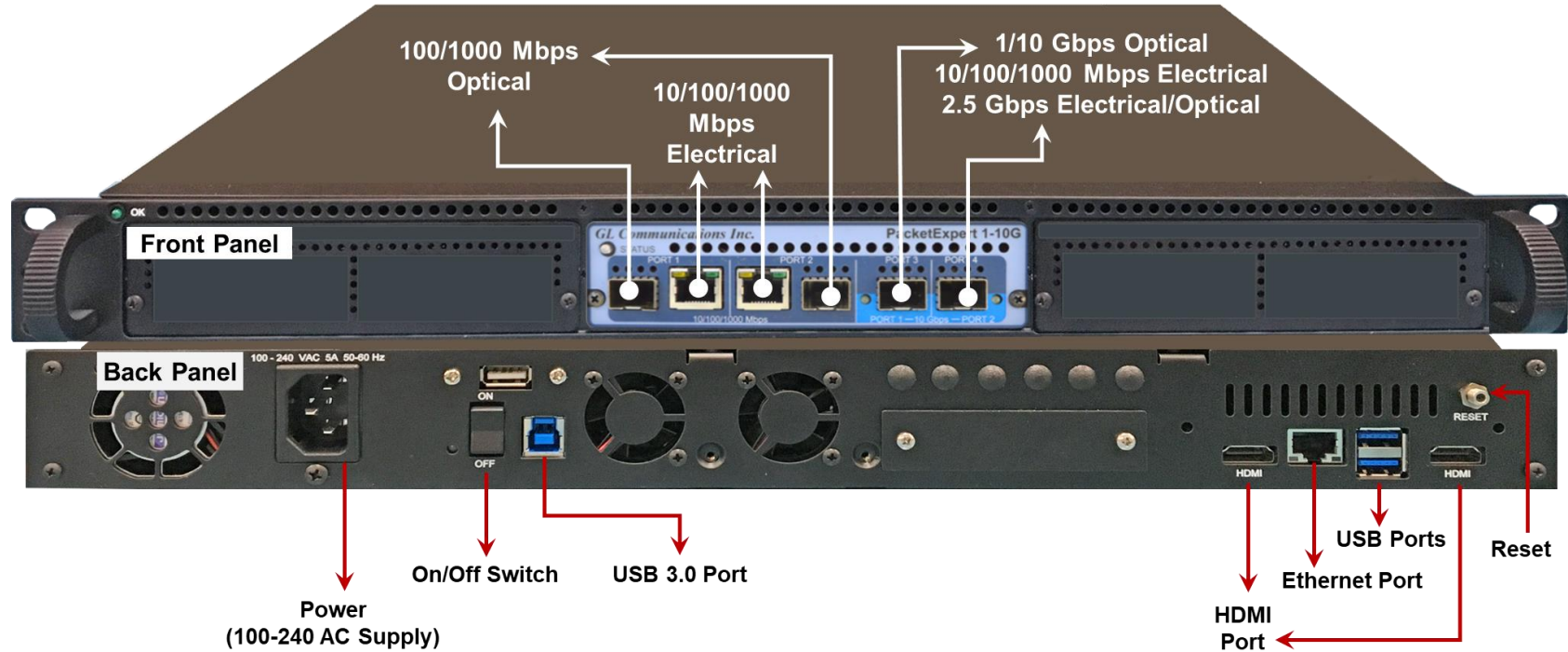


Port#1 and Port#2
 10/100/1000Mbps Electrical (Or)
 100/1000Mbps Optical Ports

Port#3 and Port#4
 10/100/1000Mbps Electrical (Or) 1G Optical Ports
 (Or)

Port#1 and Port#2 (Or) **Port#1 and Port#2**
 10G Optical Ports 2.5G Electrical/Optical Ports

PacketExpert™ 10GX- 1U Rack Option (PXN104)



- 19" rack option, w/ Embedded Single Board Computer (SBC)
- SBC Specs: Intel Core i3 or optional i7 Equivalent, Win® 10 Pro 64-bit OS, Min 240GB Hard drive, 8G Memory, USB 2.0 and 3.0 Hub, ATX Power Supply.

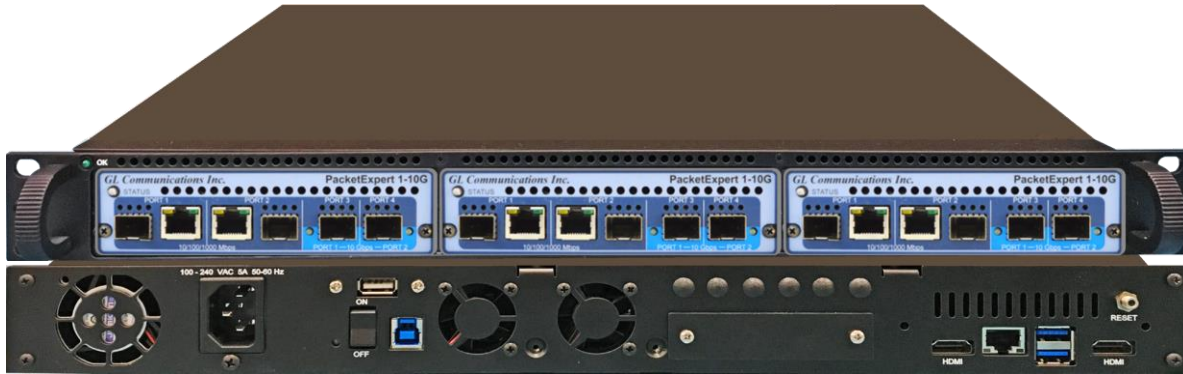
mTOP™1U Rack Option with 12 TTL



12 Port TTL Trigger

PacketExpert™ 10GX (1G, 10G) -(PXN112, PXN124)

PacketExpert™ SA (PXN112)



PacketExpert SA (PXN112) is a 12-Port PacketExpert™ w/ Embedded Single Board Computer (SBC). SBC Specs: Intel Core i3, Win10 Pro 64-bit OS, USB 3.0 Hub, Min 128GB Hard drive, 8G Memory. 19" 1U Rackmount enclosure includes 12-Port PacketExpert™ 10GX w/ MT001 and 3x PXN100 units.

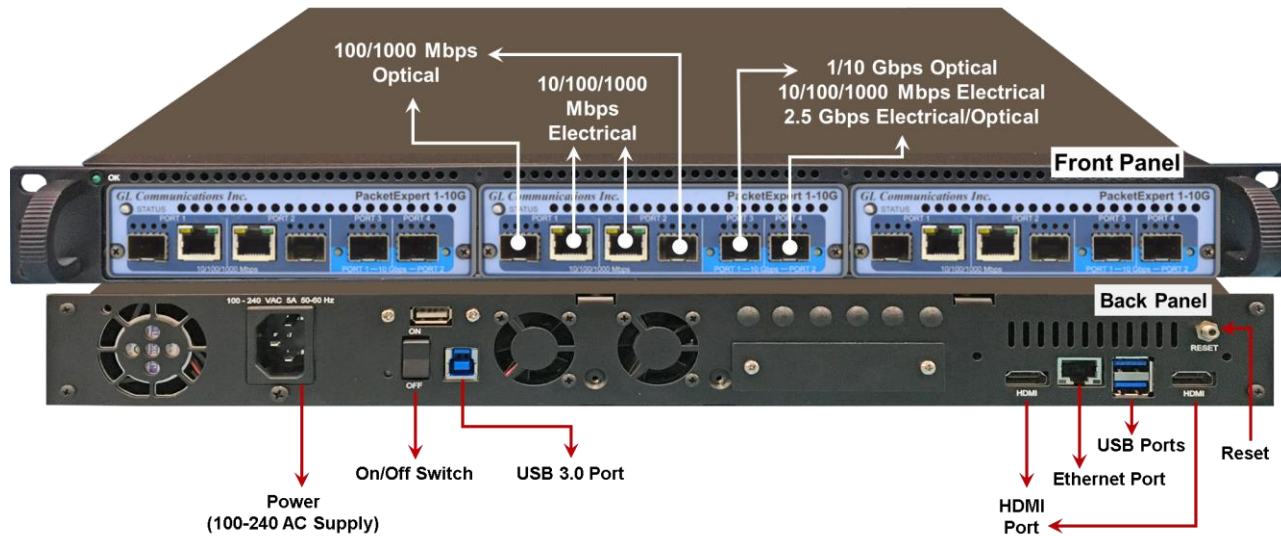
PacketExpert™ SA (PXN124)



PacketExpert SA (PXN124) is a 24-Port PacketExpert™ w/ Embedded Single Board Computer (SBC). SBC Specs: Intel Core i3, Win10 Pro 64-bit OS, USB 3.0 Hub, Min 128GB Hard drive, 8G Memory. 19" 2U Rackmount enclosure includes 24-Port PacketExpert™ 10GX w/ MT001, MT002 and 6x PXN100 units.

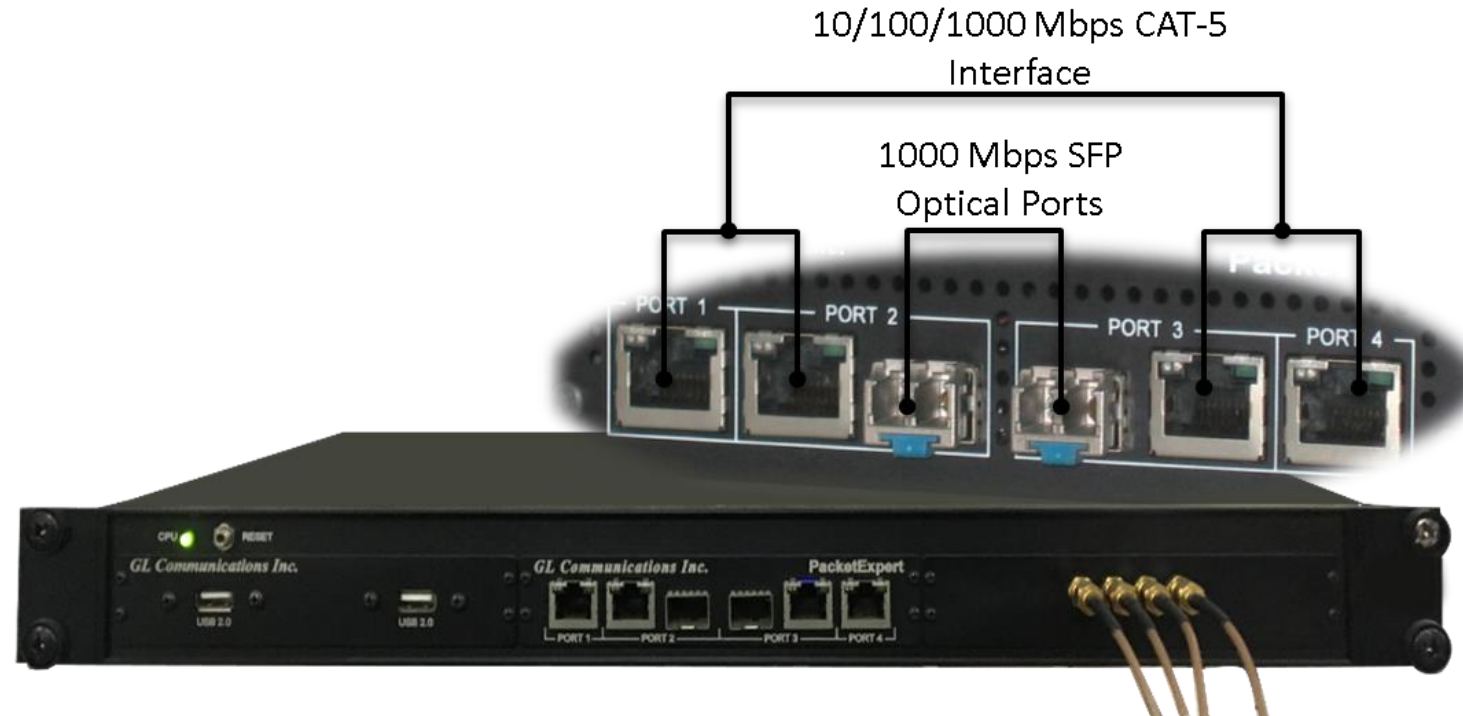
- MT001 mTOP™ 1U Rack Mount Enclosure w/SBC (intel core i3)
- MT001E mTOP™ Rack Mount Enclosure w/SBC (intel core i7)

PacketExpert™ 10GX mTOP™ Rack Unit (PXN112)



- Protocols:
 - RFC 2544 compliance
 - ITU-T Y.1564 (ExpertSAM)
- Power: +9 volts, 2.2 Amps
- Temperature:
 - 0° C to +50° C (only up to operating altitude of 5000 feet, and for Optical SFPs only i.e. Non-Electrical SFPs)
 - +5° to +40° C (for operating altitude up to 10,000 feet, and for both Electrical and Optical SFPs)
- Bus Interface : USB 2.0
- Interfaces:
 - 4 x 1G Base-X Optical OR 10/100/1000 Base-T Electrical
 - 2 x 10G Base-SR, -LR -ER Optical only
 - 2 x 100 Mbps Base-FX optical interface
 - Single Mode or Multi Mode Fiber SFP support with LC connector
 - 2.5 Gbps Electrical/Optical ports
 - Optional 4-12 Port SMA Jack Trigger Board (TTL Input/Output)
 - Embedded Single Board Computer (SBC)

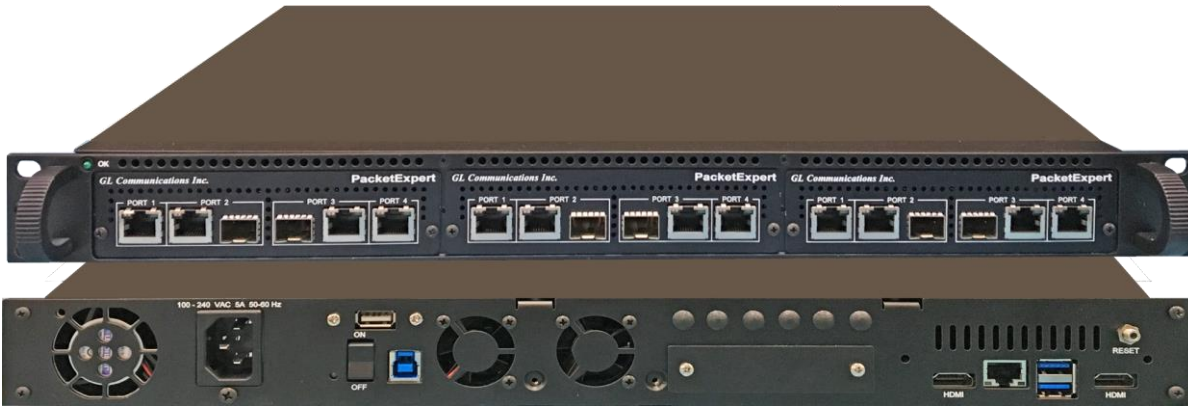
PacketExpert™ SA 1G - 1U Rack Option (PXE104)



- 19" rack option, w/ Embedded Single Board Computer (SBC)
- SBC Specs: Intel Core i3 or optional i7 Equivalent, Win® 10 Pro 64-bit OS, Min 240GB Hard drive, 8G Memory, USB 2.0 and 3.0 Hub, ATX Power Supply

PacketExpert™ SA 1G - (PXE112, PXE124)

1U mTOP™ PacketExpert™ (PXE112)



PacketExpert SA (PXE112) is a 12-port PacketExpert™ 19" 1U Rackmount Enclosure. (If options, then x 3).

PacketExpert SA (PXE124) is a 24-Port PacketExpert™ 19" Stacked 1U Rackmount Enclosures. (If options, then x 6).

- ATX Power Supply
- GigaBit Ethernet ports
- Solid-state hard drive (240GB)
- Intel Core i3 or optional i7 equivalent
- Standard 8GB memory
- Optional Video port (VGA) to HDMI interface
- Windows® 10 64-bit Pro Operating System
- USB 2.0 or 3.0 ports (with support for mouse/keyboard)

Stacked 1U mTOP™ PacketExpert™ (PXE124)



MT001-mTOP™ 1U Rack Mount Enclosure w/SBC
(intel core i3)

MT001E-mTOP™ Rack Mount Enclosure w/SBC
(intel core i7)

mTOP™ Probe Units

- USB 2.0 or 3.0 ports (with support for mouse/keyboard)
- +12V, 3Amps Power Supply
- +5° to +40° C (for operating altitude up to 10,000 feet, and for both Electrical and Optical SFPs)
- GigaBit Ethernet ports
- Solid-state hard drive (256GB)
- Intel NUC Core i3 or optional i7 equivalent
- Standard 8GB memory
- Optional Video port (VGA) to HDMI interface
- Windows® 10 64-bit Pro Operating System

MT005 - mTOP™ Probe (Portable Stand-alone) (intel core i3)

MT005E - mTOP™ Probe (Portable Stand-alone) (intel core i7)

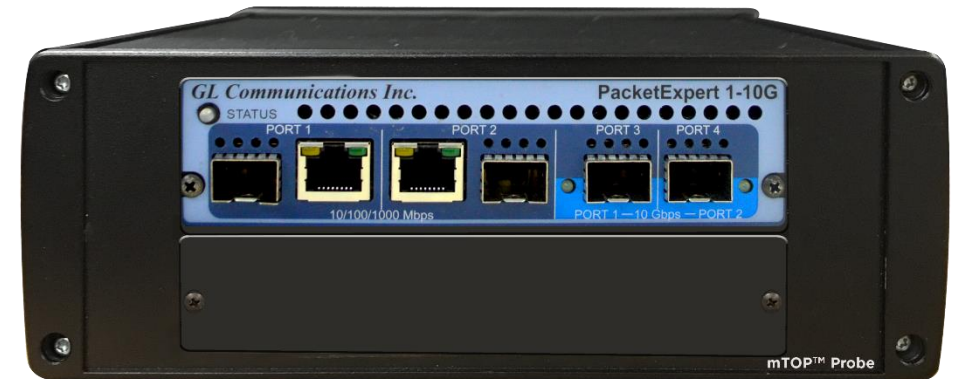
mTOP™ Probe Rear Panel



mTOP™ Probe PacketExpert™ 1G



mTOP™ Probe PacketExpert™ 10GX



Thank You